




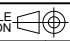




1X1	□	+1	BATTERY VOLTAGE (+)
1X2	□	-2	BATTERY VOLTAGE (-)
1X3	□	3	STOP
1X4	□	4	FUEL
1X5	□	5	CRANK
1X6	□	6	CHARGE
1X7	□	7	OIL PRESSURE INDICATOR
1X8	□	8	OIL PRESSURE ALARM
1X9	□	9	TEMPERATURE INDICATOR
1X10	□	10	TEMPERATURE ALARM
1X11	□	77	FUEL LEVEL INDICATOR
1X12	□	20	CURRENT TRANSFORMER U (S1)
1X13	□	21	CURRENT TRANSFORMER U (S2)
1X14	□	22	CURRENT TRANSFORMER V (S1)
1X15	□	23	CURRENT TRANSFORMER V (S2)
1X16	□	24	CURRENT TRANSFORMER W (S1)
1X17	□	25	CURRENT TRANSFORMER W (S2)

1X18	□	30	GENERATOR REFERENCE (U)
1X19	□	31	GENERATOR REFERENCE (V)
1X20	□	32	GENERATOR REFERENCE (W)
1X21	□	0	GENERATOR REFERENCE (N)
1X22	□	37	MAINS REFERENCE (R)
1X23	□	38	MAINS REFERENCE (S)
1X24	□	39	MAINS REFERENCE (T)
1X25	□	0	MAINS REFERENCE (N)
1X26	□	50	HEATER PHASE SUPPLY
1X27	□	52	HEATER PHASE
1X28	□	0	HEATER NEUTRAL
1X29	□	45	MAINS CONTACTOR
1X30	□	46	GENERATOR CONTACTOR

NOTE : DO NOT SCALE.

<b>METRIC</b>		APPROVED BY	DATE			SARAY MAH. AKSOY CAD NO:71/C	
PROJECT NUMBER		Ö.KABA	02.03.2021			KAHRAMANKAZAN / ANKARA	
PROJECT NAME		CHECKED BY	DATE	TEL: 0312 394 05 03			
GENERAL TOLERANCES PER ISO 2768		Ö.KABA	02.03.2021	MAIL: info@daspower.com.tr			
UNLESS OTHERWISE SPECIFIED ALL DIMENSIONS ARE IN MILLIMETERS SURFACE FINISH ARE IN MICROMETERS Ra		DRAWN BY	DATE	WEB: www.daspower.com.tr			
MATERIAL		Ö.KABA	02.03.2021	PART DESCRIPTION			
WEIGHT (kg)		THIS DOCUMENT IS PROPERTY OF GENPOWER GENERATOR INC. ALL RIGHTS ARE RESERVED.		ELECTRICAL TERMINAL CONNECTION			
FIRST ANGLE PROJECTION 		AX NO:		SIZE	SCALE	PART NUMBER	REV
				A3	1:2		A
				SHEET	4 / 5	CONFIGURATION	

DOC NO	DESCRIPTION	ECO	REV	BY	DATE
1	REFERENCE DOCUMENTS		A		
2	REVISIONS				
3					
4					
5					
6					

1 2 3 4 5 6

A

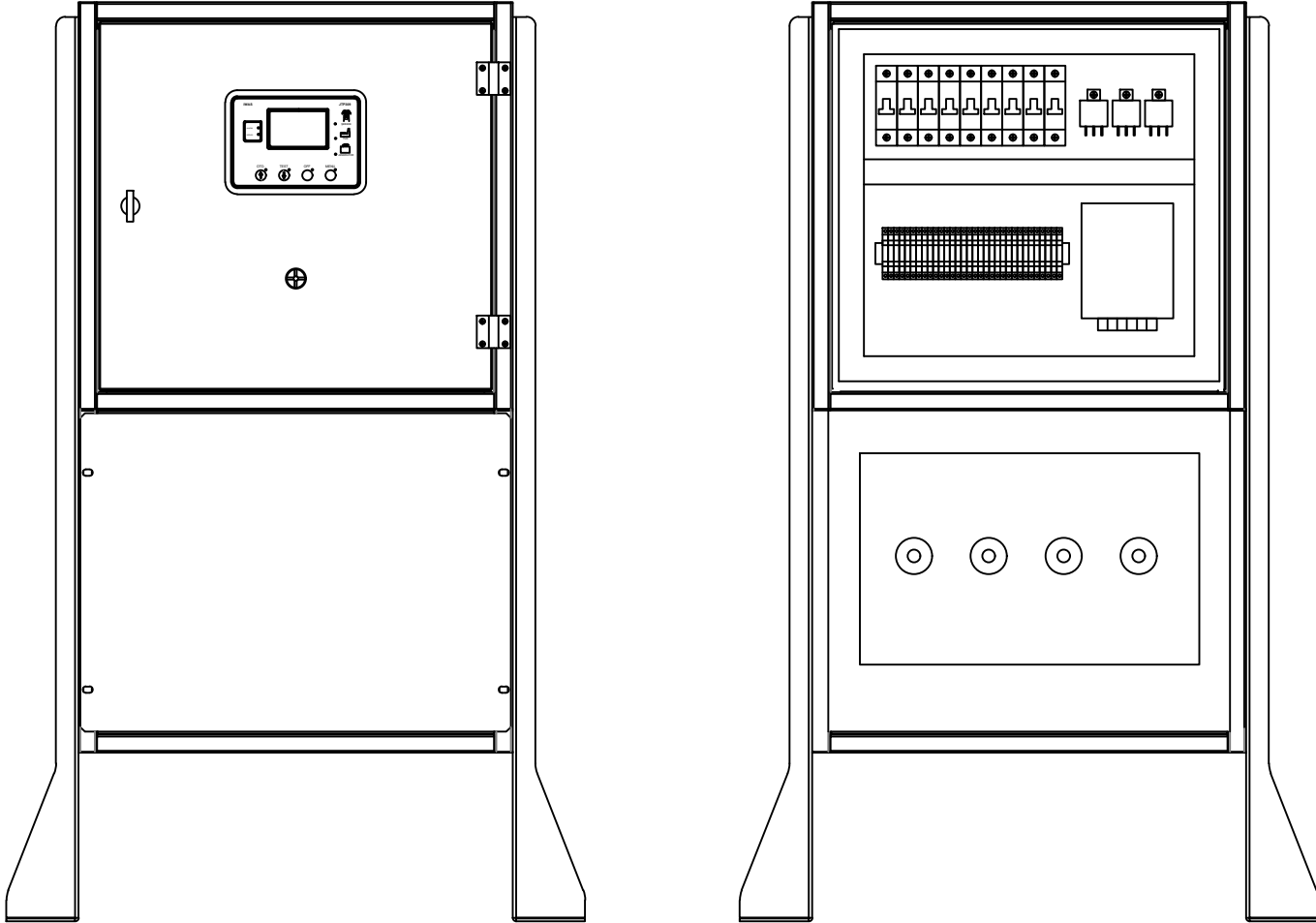
A

B

B

C

C



NOTE : DO NOT SCALE.

DOC NO	DESCRIPTION	ECO	REV	BY	DATE
1	REFERENCE DOCUMENTS				
2	REVISIONS				
3					

<b>METRIC</b>		APPROVED BY	DATE
PROJECT NUMBER	Ö.KABA	02.03.2021	
PROJECT NAME	Ö.KABA	02.03.2021	
GENERAL TOLERANCES PER ISO 2768	DRAWN BY	DATE	
UNLESS OTHERWISE SPECIFIED ALL DIMENSIONS ARE IN MILLIMETERS SURFACE FINISH ARE IN MICROMETERS R <sub>a</sub>	Ö.KABA	02.03.2021	
MATERIAL	THIS DOCUMENT IS PROPERTY OF GENPOWER GENERATOR INC. ALL RIGHTS ARE RESERVED.		
WEIGHT (kg)	FIRST ANGLE PROJECTION	AX NO:	



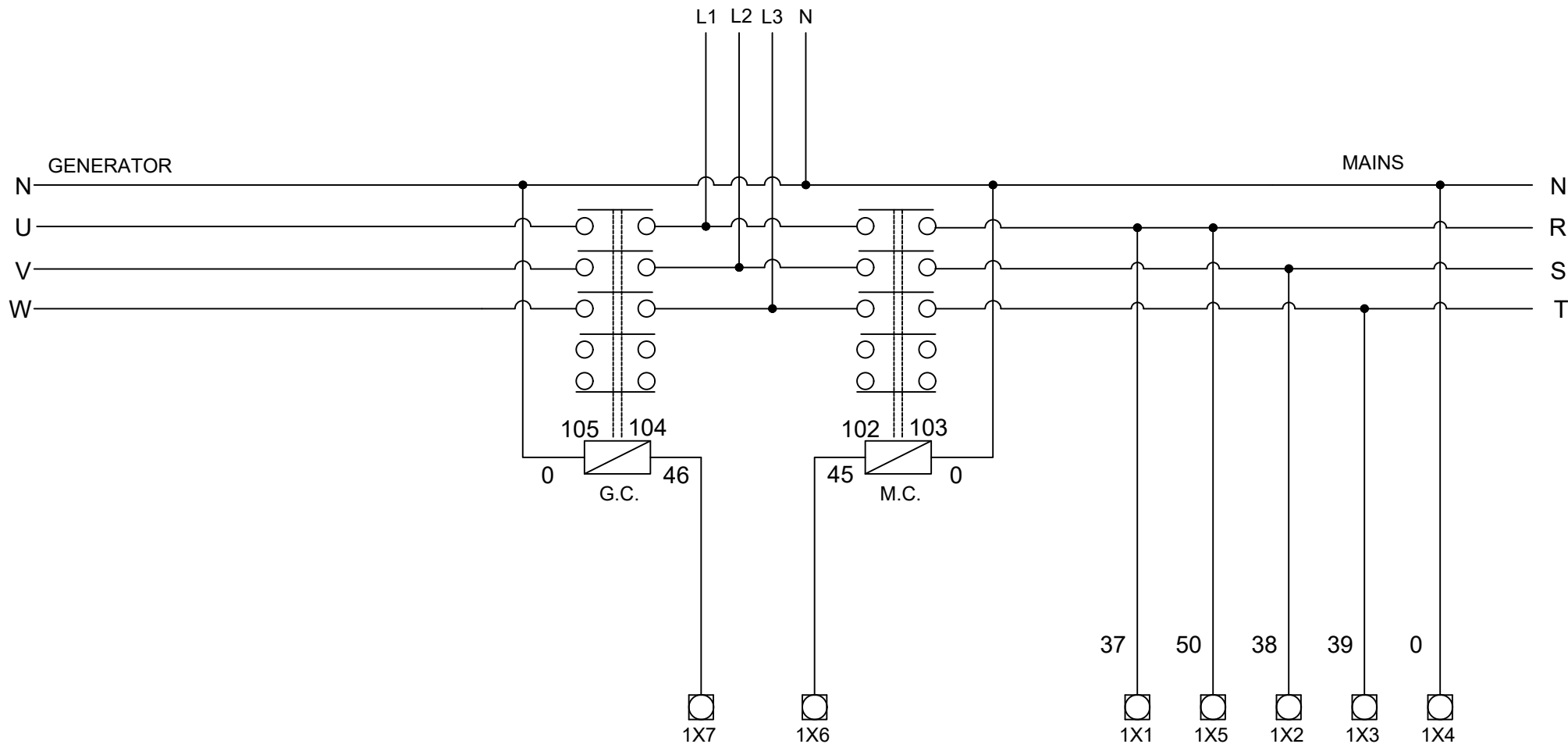
SARAY MAH. AKSOY CAD NO:71/C  
KAHRAMANKAZAN / ANKARA  
TEL: 0312 394 05 03  
MAIL: info@daspower.com.tr  
WEB: www.daspower.com.tr

PART DESCRIPTION		PART NUMBER		REV <b>A</b>
CONTROL PANEL DRAWING		SIZE	SCALE	
CONFIGURATION		A3	1:2	
		SHEET	5/5	

D

D

1 2 3 4 5 6



NOTE : DO NOT SCALE.

DOC NO	DESCRIPTION	ECO	REV	BY	DATE
1	REFERENCE DOCUMENTS				
2					
3					

<b>METRIC</b>		APPROVED BY	DATE
PROJECT NUMBER		Ö.KABA	02.03.2021
PROJECT NAME		CHECKED BY	DATE
GENERAL TOLERANCES PER ISO 2768		Ö.KABA	02.03.2021
UNLESS OTHERWISE SPECIFIED ALL DIMENSIONS ARE IN MILLIMETERS SURFACE FINISH ARE IN MICROMETERS Ro		DRAWN BY	DATE
MATERIAL		Ö.KABA	02.03.2021
WEIGHT (kg)		THIS DOCUMENT IS PROPERTY OF GENPOWER GENERATOR INC. ALL RIGHTS ARE RESERVED.	
FIRST ANGLE PROJECTION		AX NO:	



SARAY MAH. AKSOY CAD NO:71/C  
KAHRAMANKAZAN / ANKARA  
TEL: 0312 394 05 03  
MAIL: info@daspower.com.tr  
WEB: www.daspower.com.tr

PART DESCRIPTION		PART NUMBER		REV <b>A</b>
TRANSFER PANEL CONNECTION		CONFIGURATION		
SIZE <b>A3</b>	SCALE <b>1:2</b>			
SHEET <b>1 / 1</b>				